

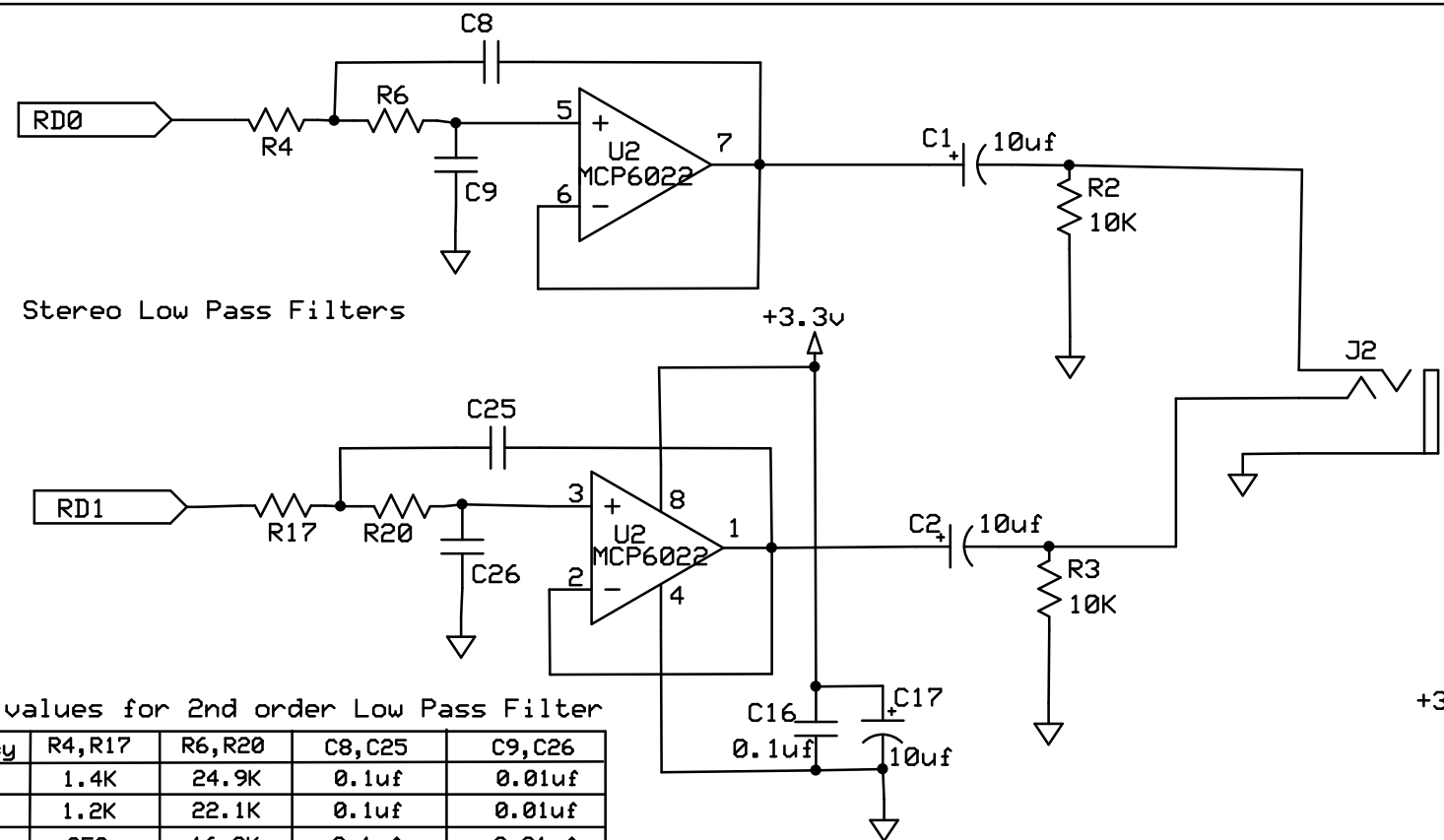
Copyright © Eflightworks 2008  
All rights reserved

Version	Rev	Date	By	Comment
1.0	NC		eo	Initial version
1.1	NC	5/12/08	eo	Fixed RTS & CTS pins
1.1	A	6/4/08	eo	Updated Cap & Res values
1.1	B	7/3/08	eo	Changed aux 3.3v to LM1117
1.1	C	7/6/08	eo	uSD SPI jmp, I2C eeprom to #2
1.1	D	9/24/08	eo	Jumpers for USB and move uSD to SPI2

**Eflightworks**  
Eden, NY 14057

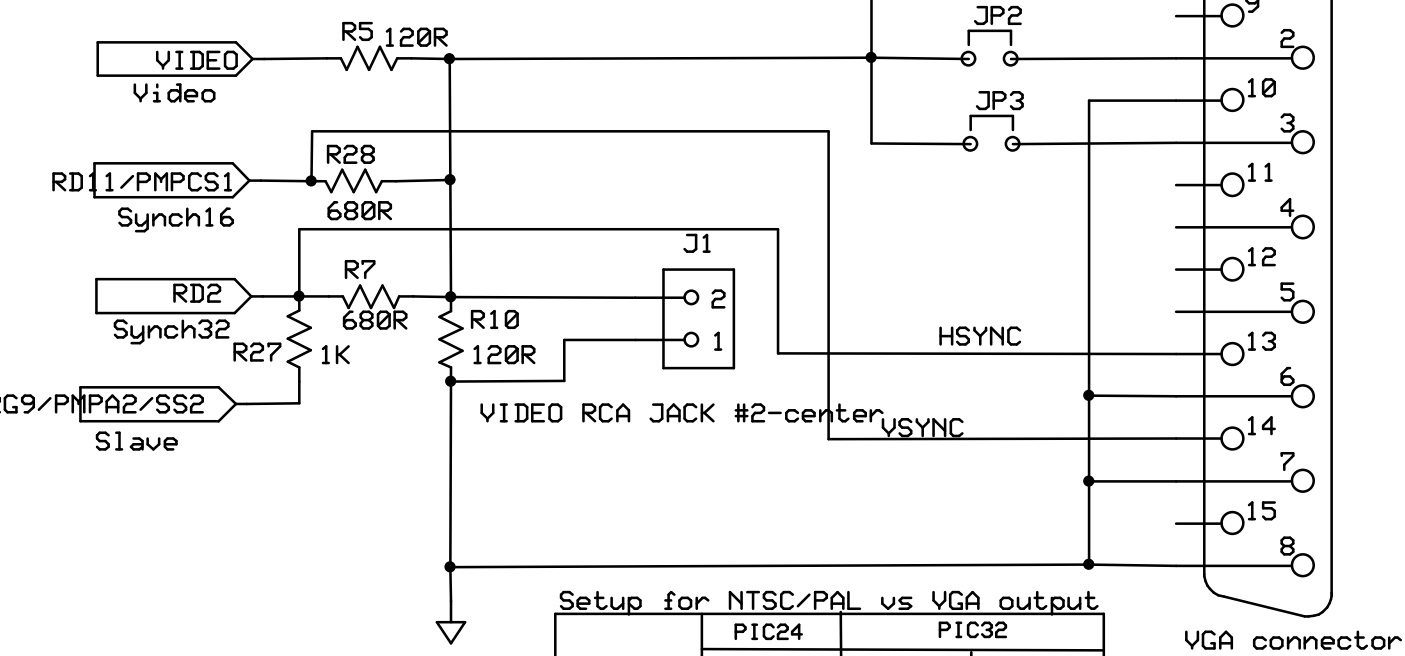
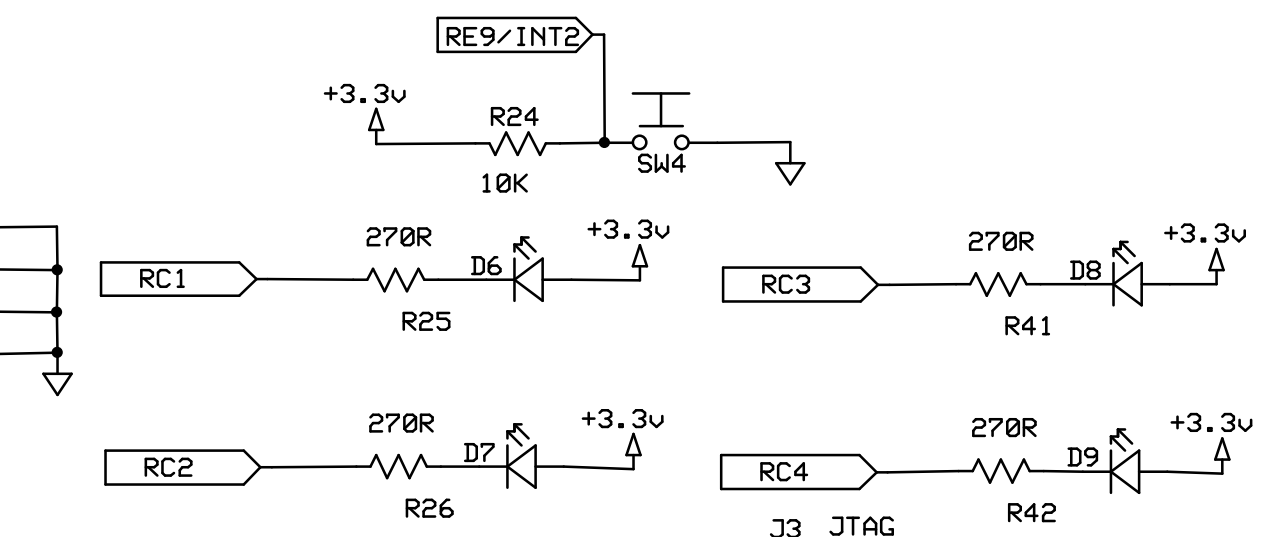
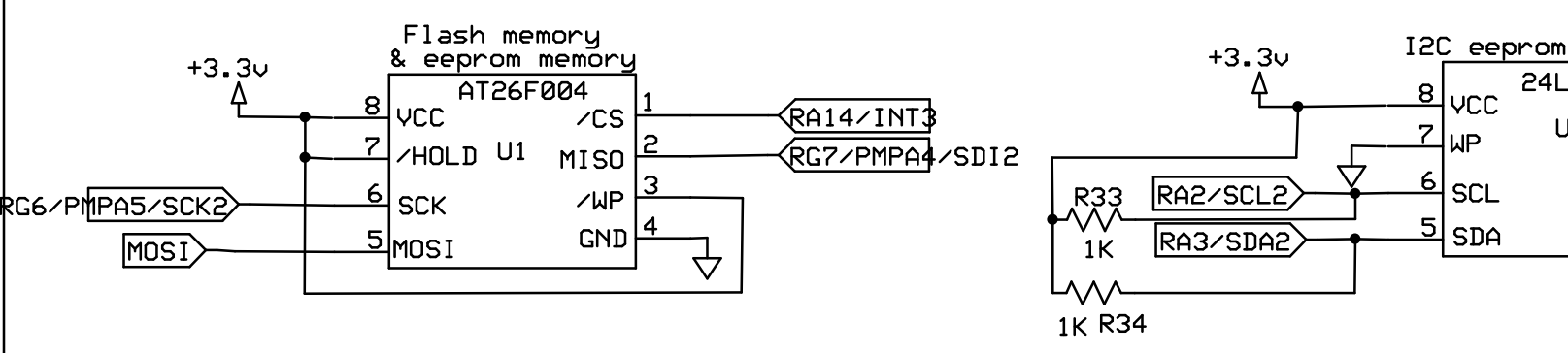
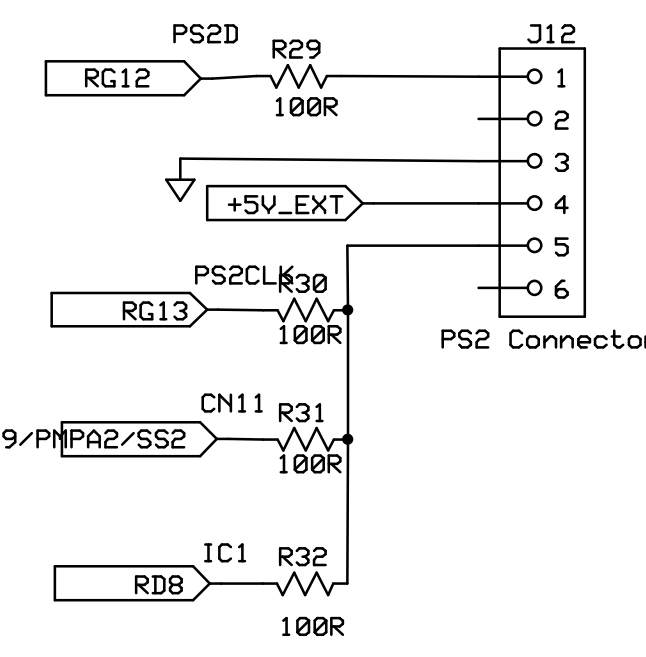
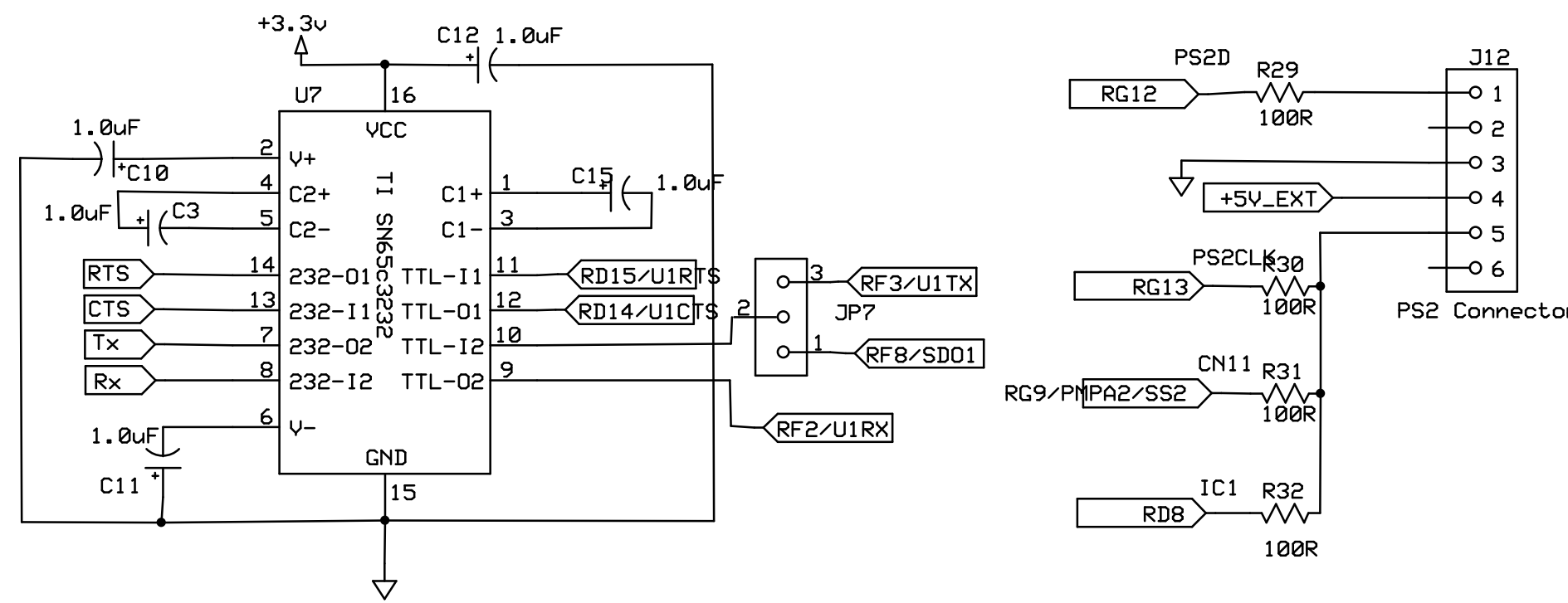
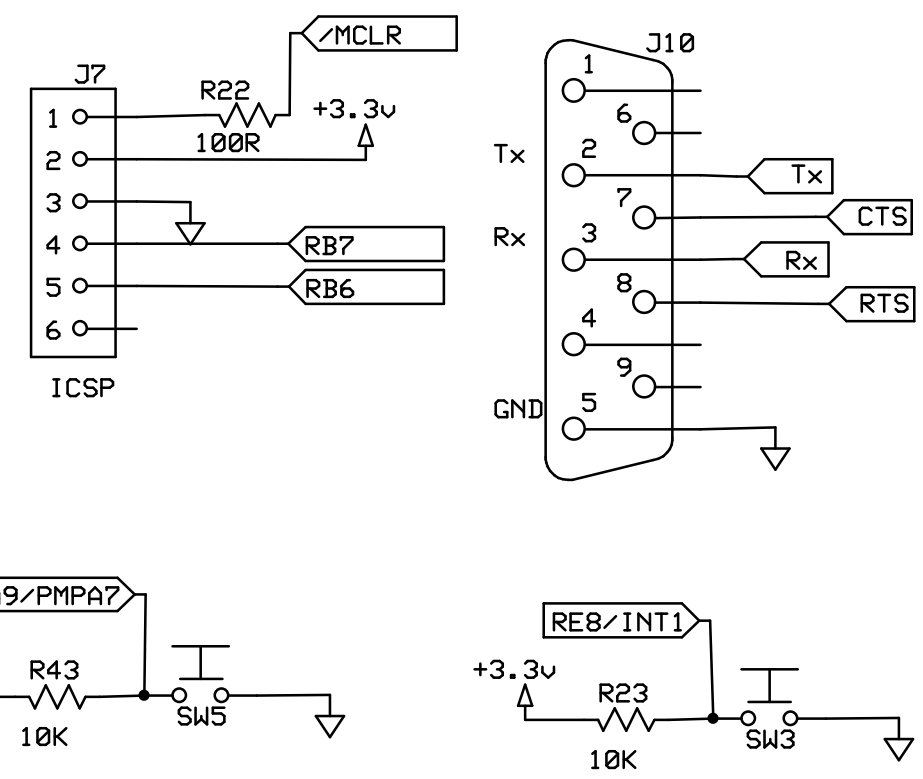
**PIC24/32PIM Breakout Board**

E. Ohmit	V1.1 Rev D	Page 1 of 2
	9/24/2008	



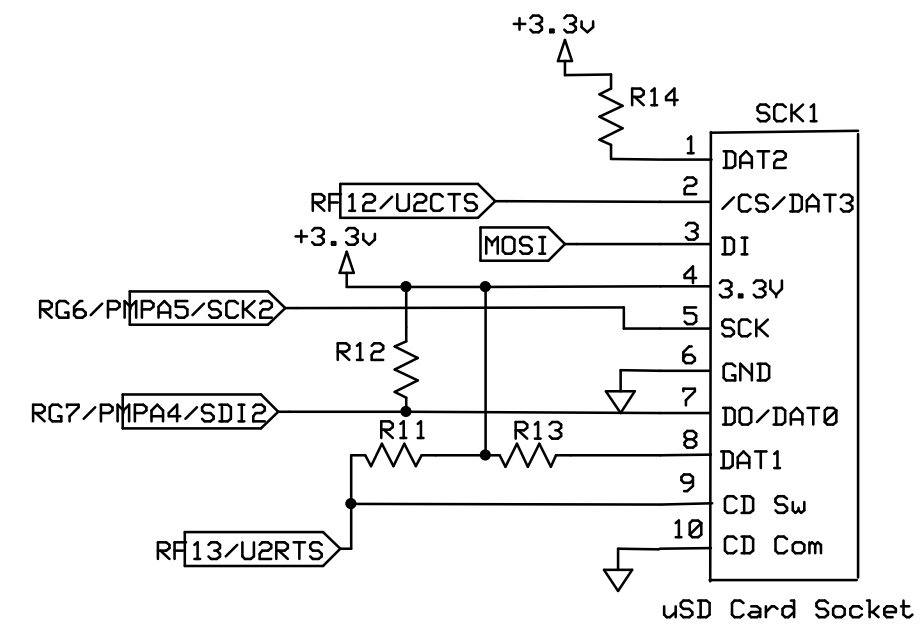
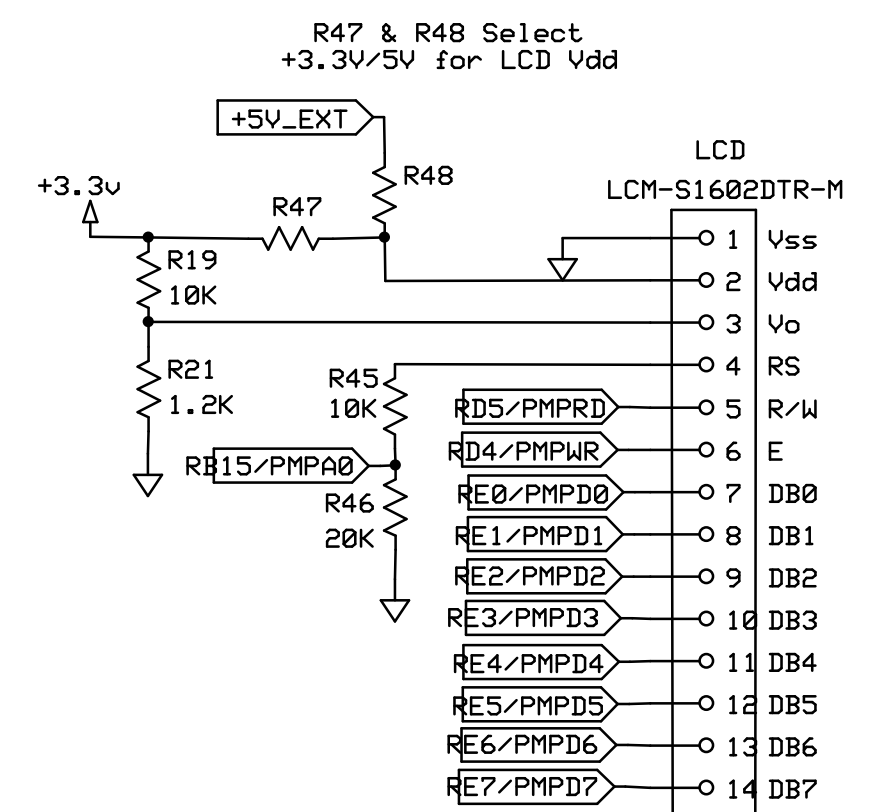
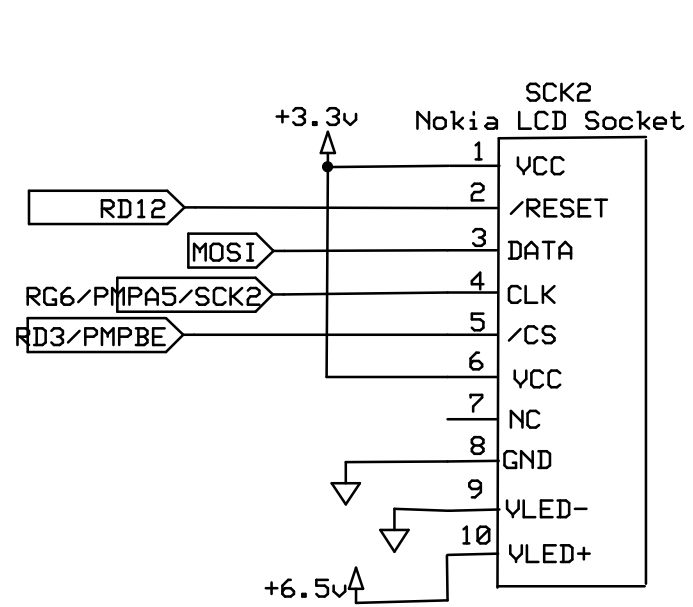
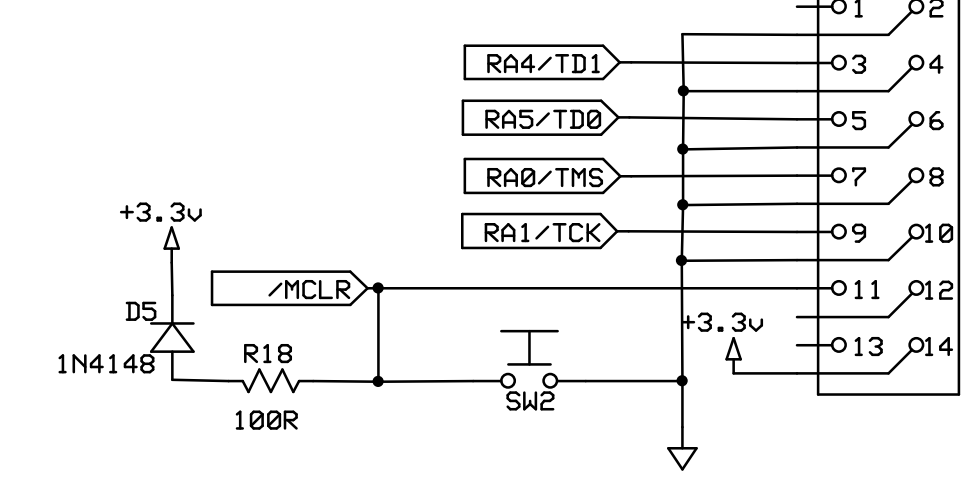
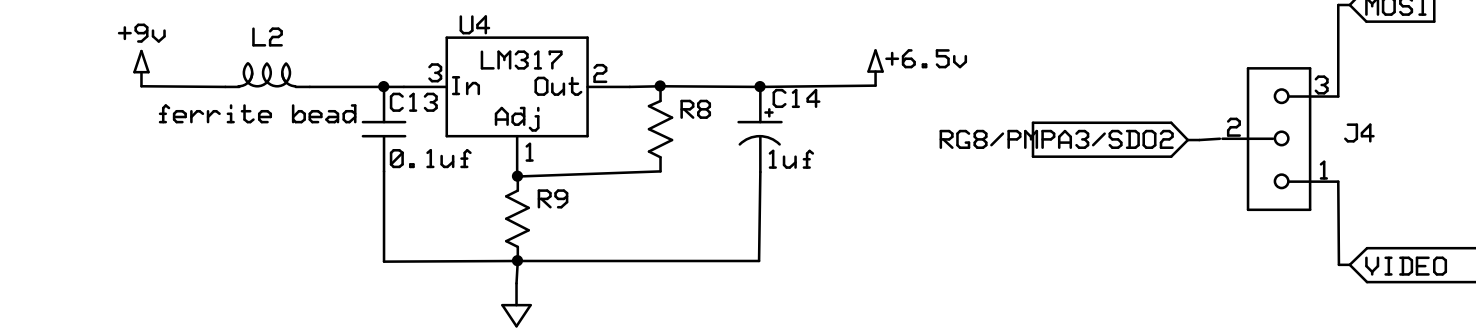
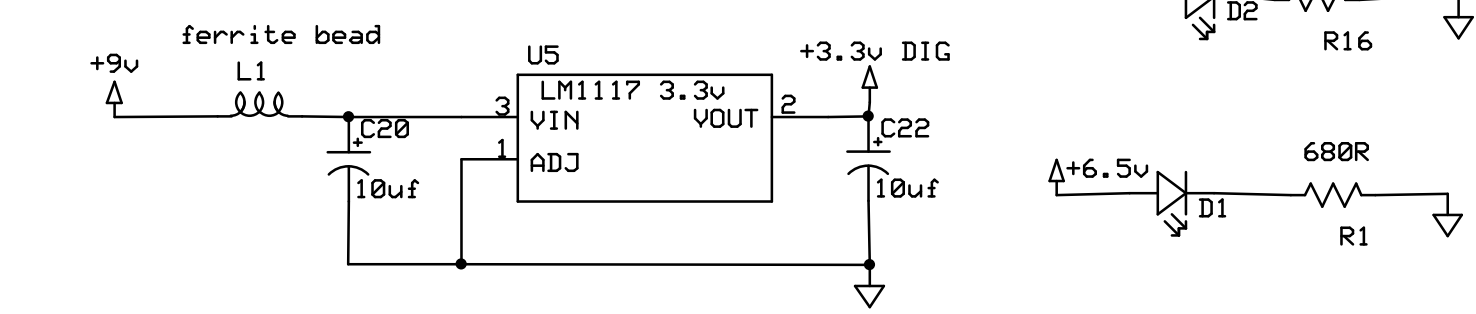
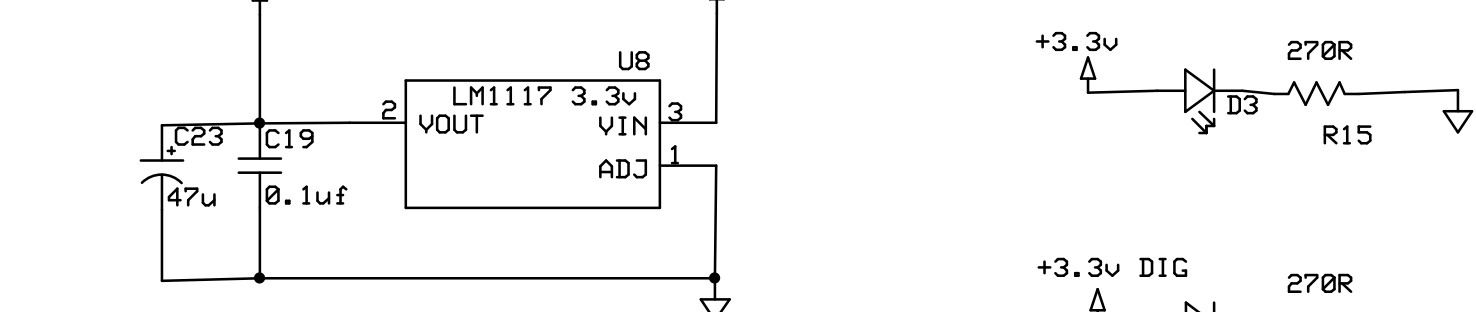
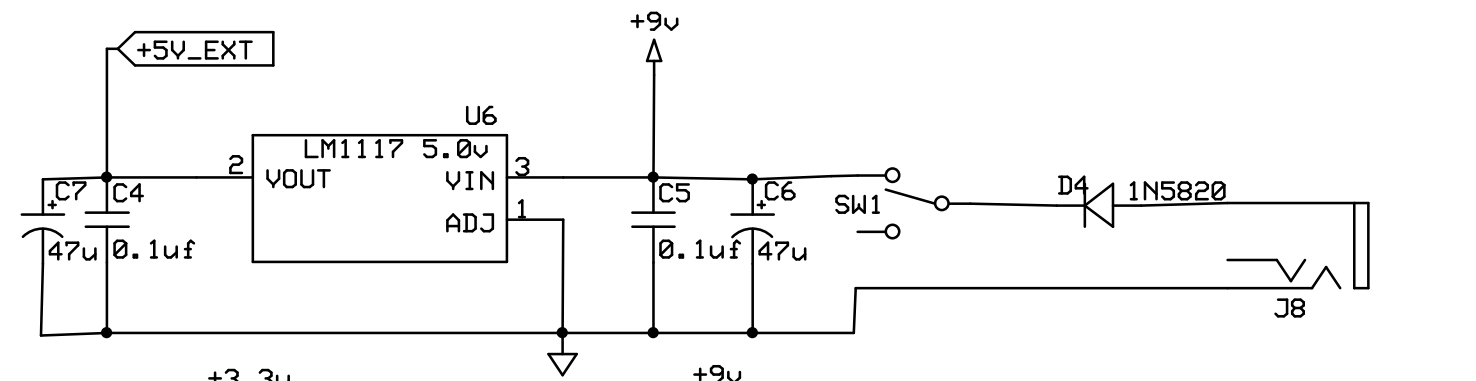
Sample values for 2nd order Low Pass Filter

Frequency	R4, R17	R6, R20	C8, C25	C9, C26
850 Hz	1.4K	24.9K	0.1uf	0.01uf
970 Hz	1.2K	22.1K	0.1uf	0.01uf
1250 Hz	953	16.9K	0.1uf	0.01uf
2000 Hz	8.87K	15.0K	0.01uf	0.0047uf



Setup for NTSC/PAL vs VGA output

Component	PIC24		PIC32
	NTSC/PAL	NTSC/PAL	VGA
R5	120	120	1K
R7	NC	680	NC
R27	1K	1K	1K
R10	120	120	1N4148
R28	680	NC	NC



Copyright © Eflightworks 2008  
All rights reserved