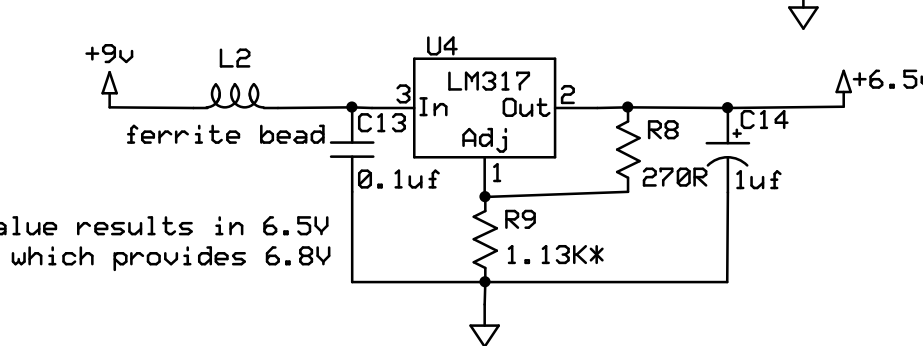
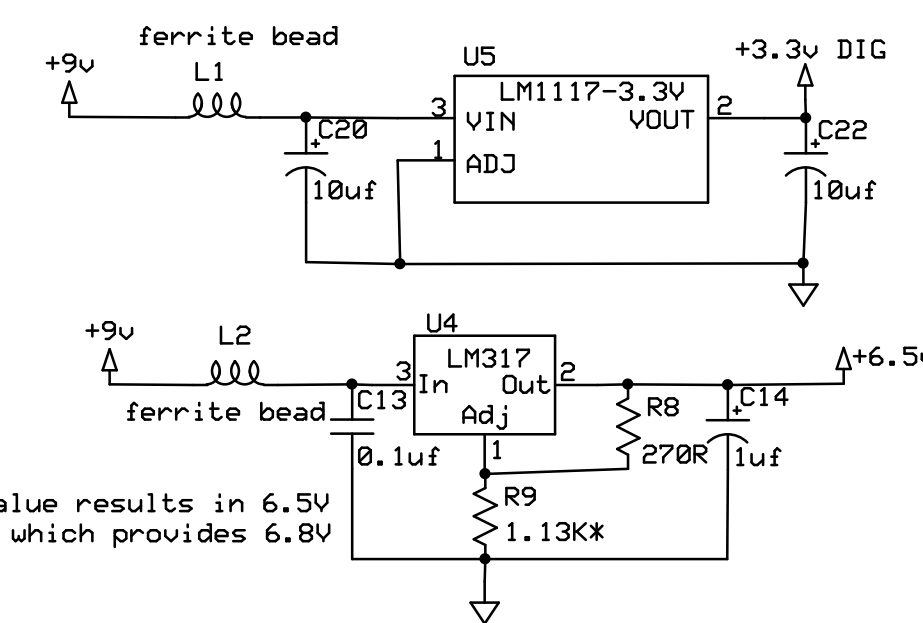
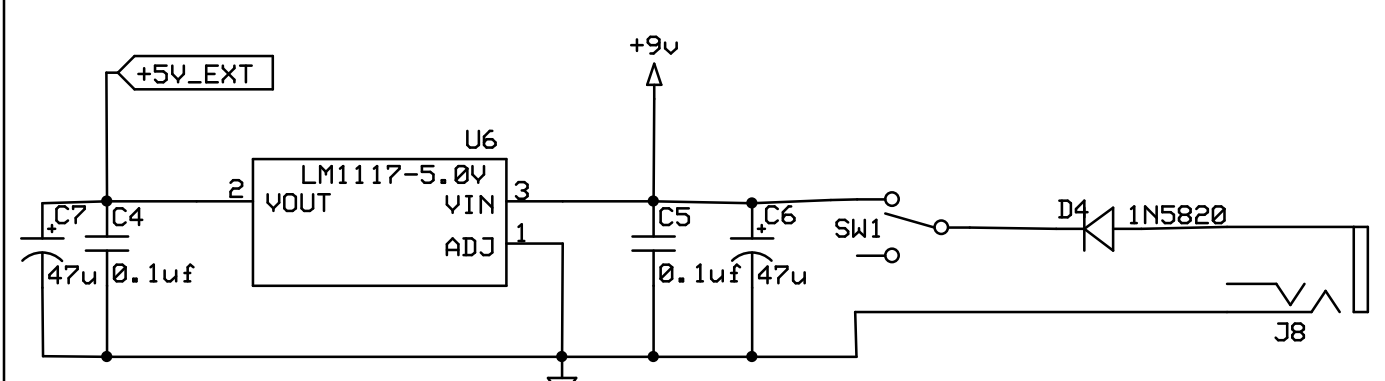
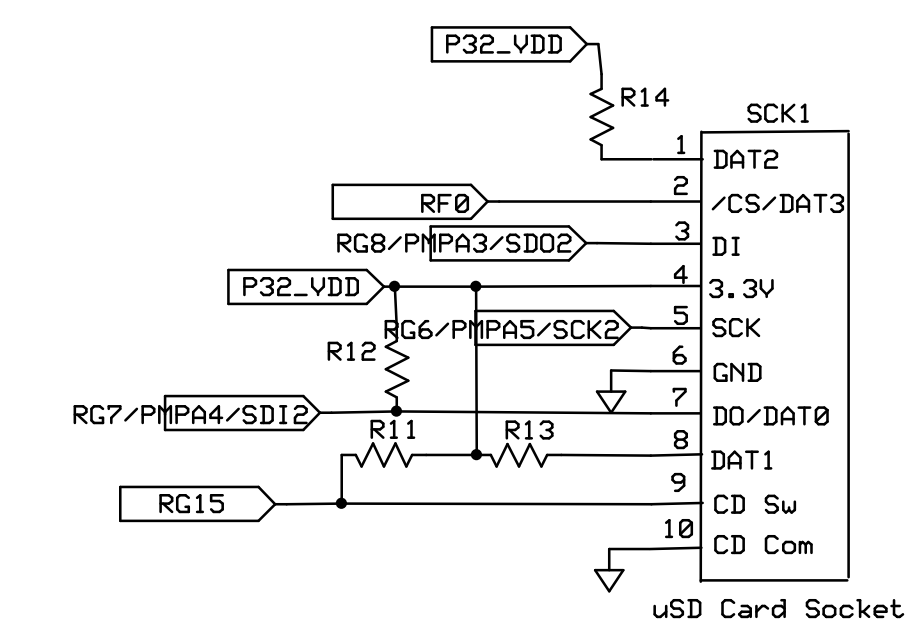
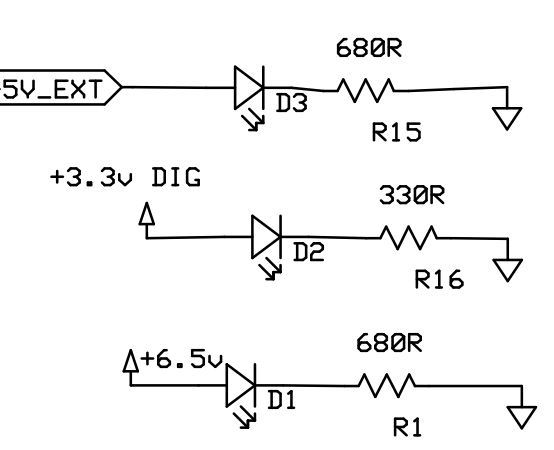
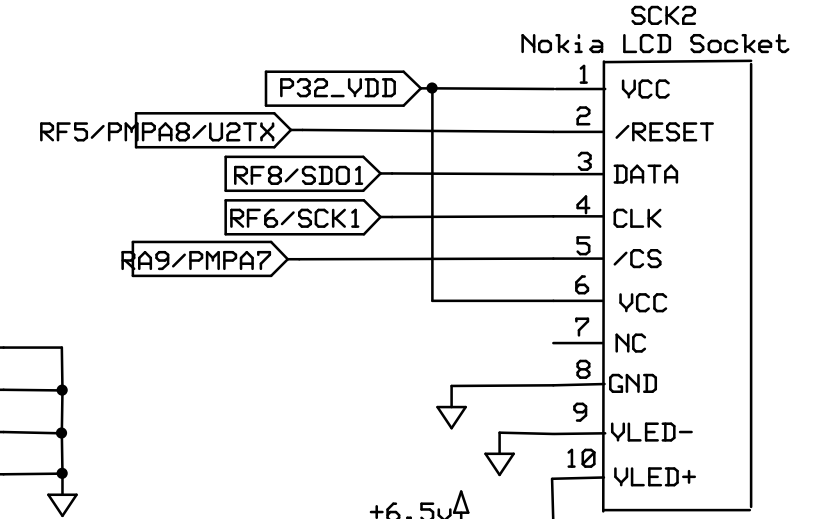
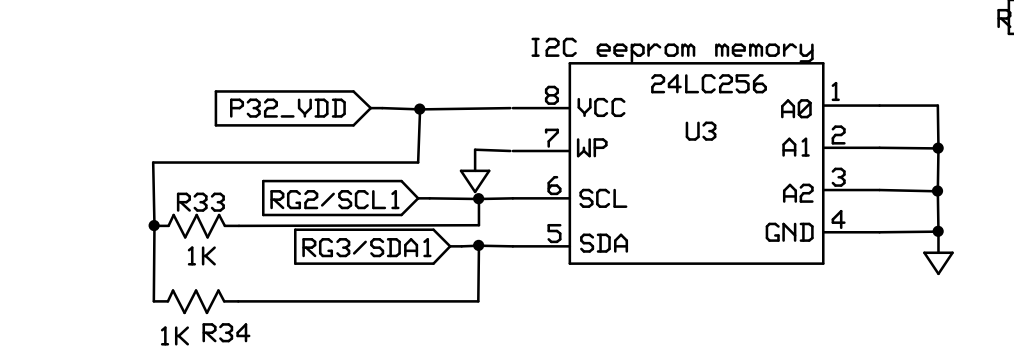
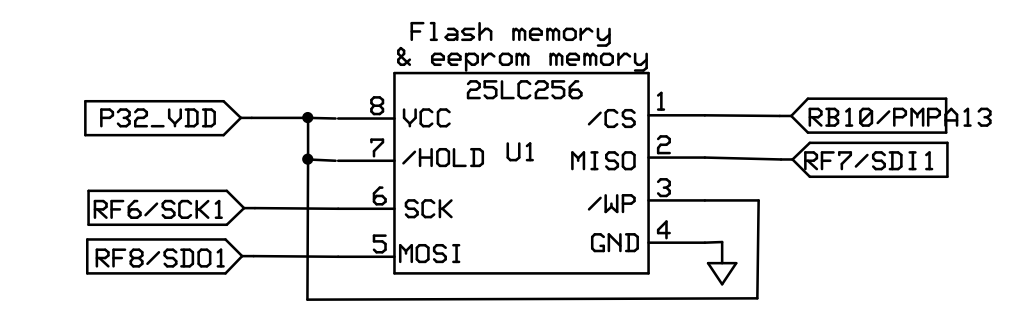
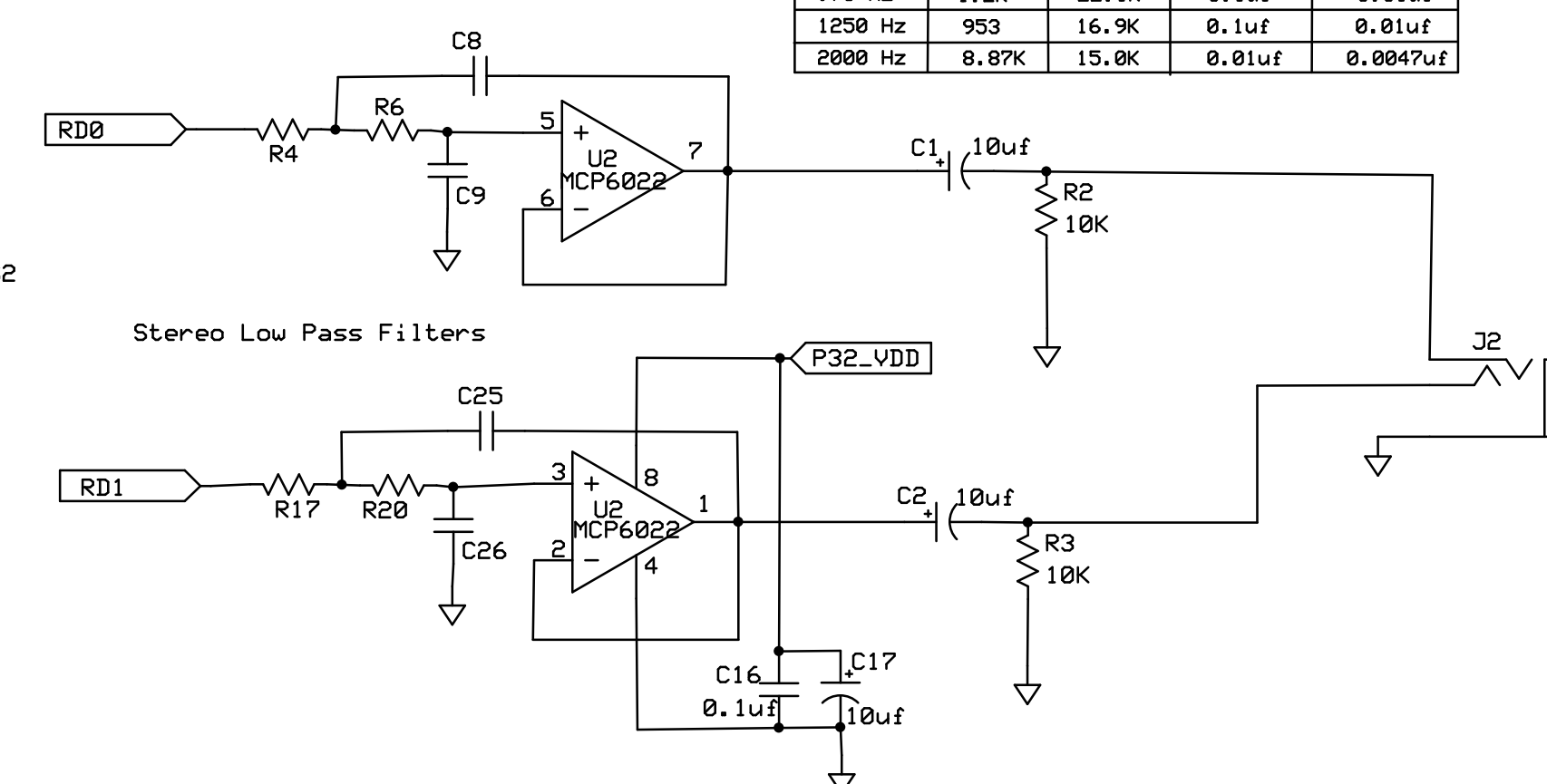


Sample values for 2nd order Low Pass Filter

| Frequency | R4,R17 | R6,R20 | C8,C25 | C9,C26   |
|-----------|--------|--------|--------|----------|
| 850 Hz    | 1.4K   | 24.9K  | 0.1uf  | 0.01uf   |
| 970 Hz    | 1.2K   | 22.1K  | 0.1uf  | 0.01uf   |
| 1250 Hz   | 953    | 16.9K  | 0.1uf  | 0.01uf   |
| 2000 Hz   | 8.87K  | 15.0K  | 0.1uf  | 0.0047uf |



\* NOTE: R9 = 1.13K value results in 6.5V  
1.2K can be used instead which provides 6.8V

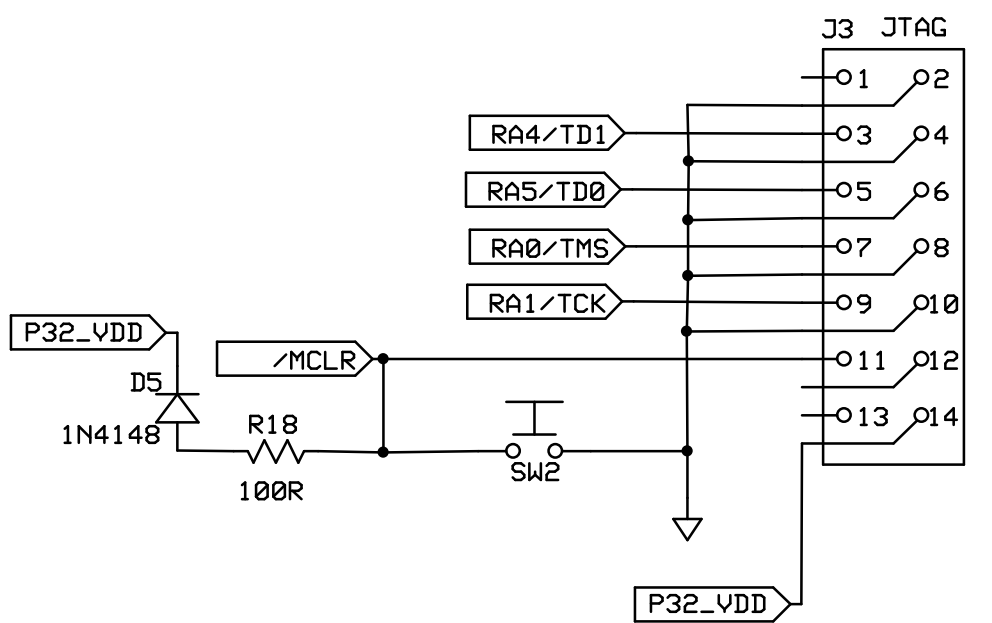
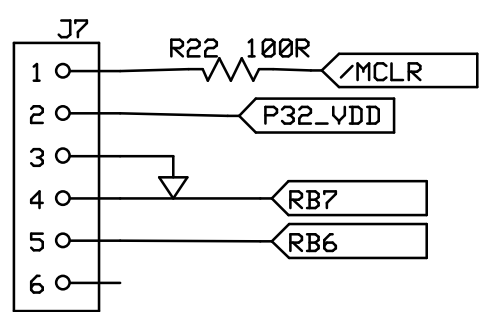
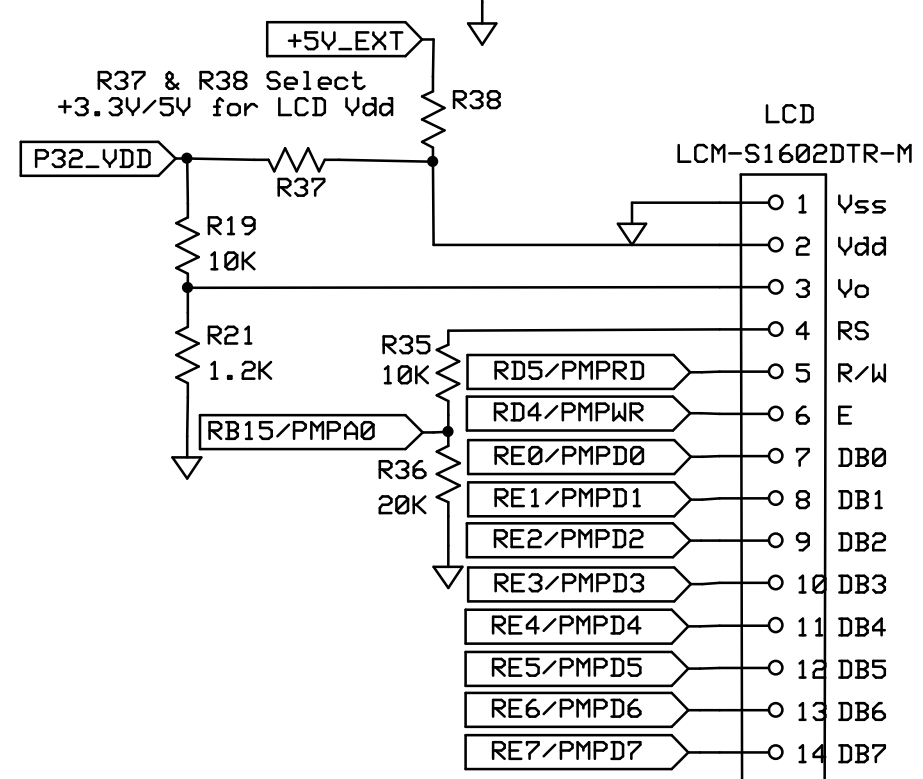
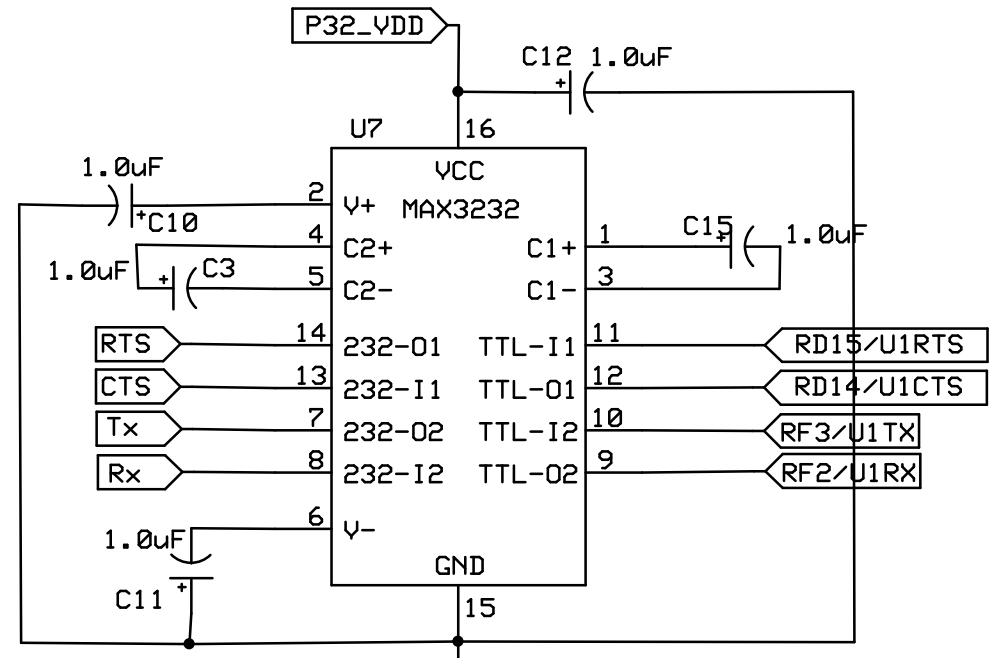
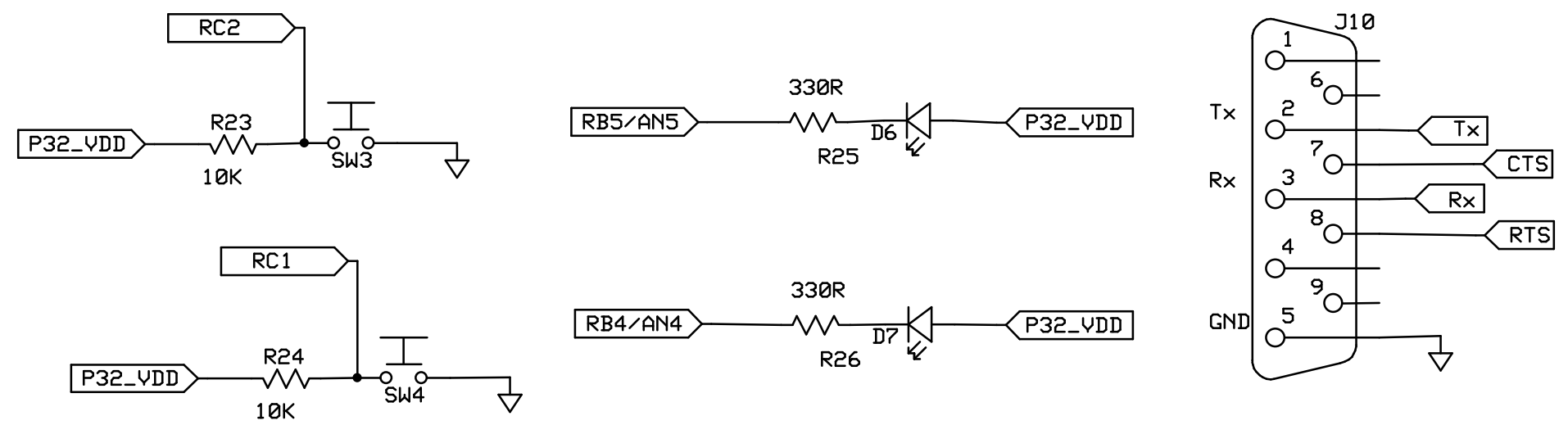
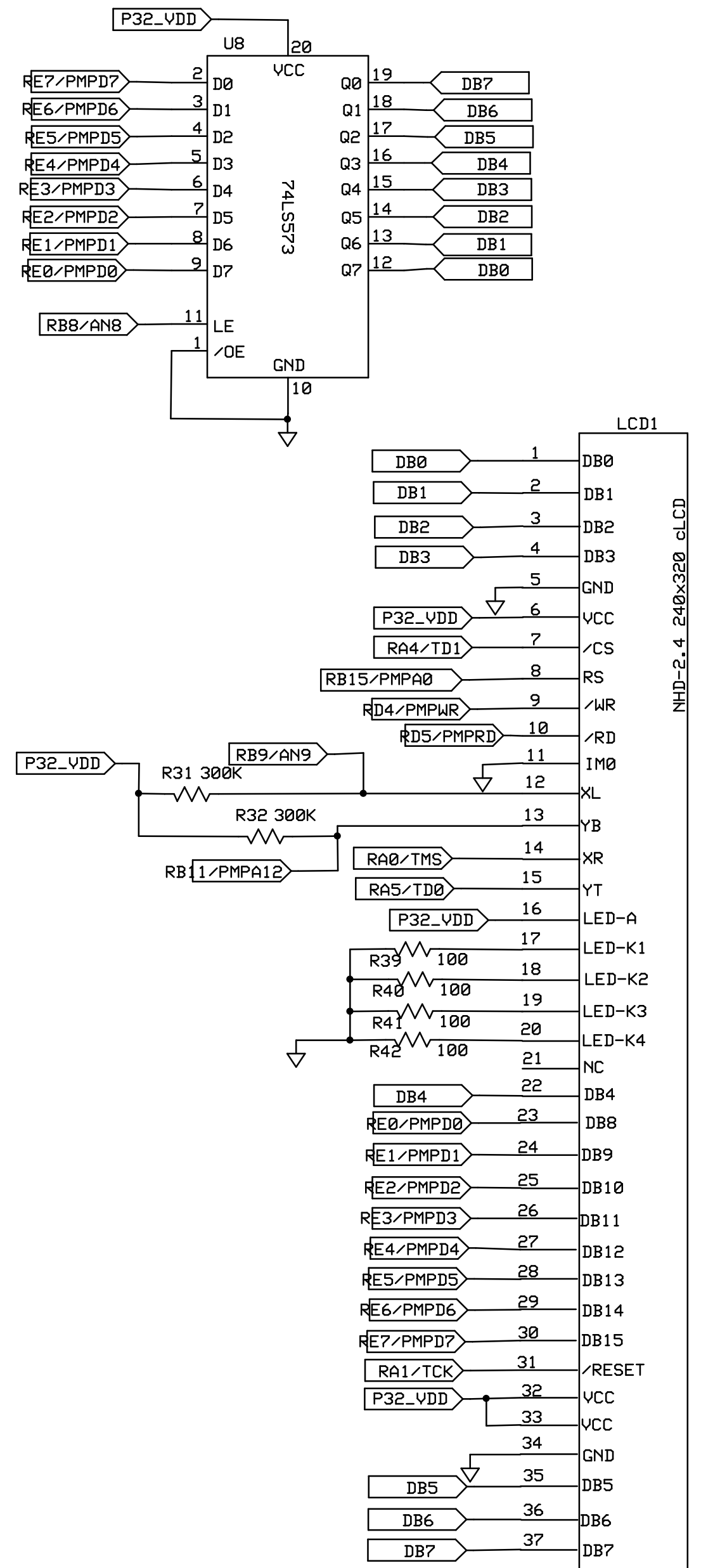
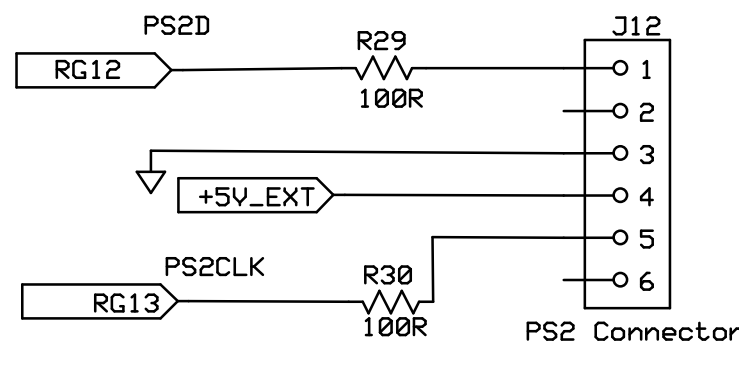
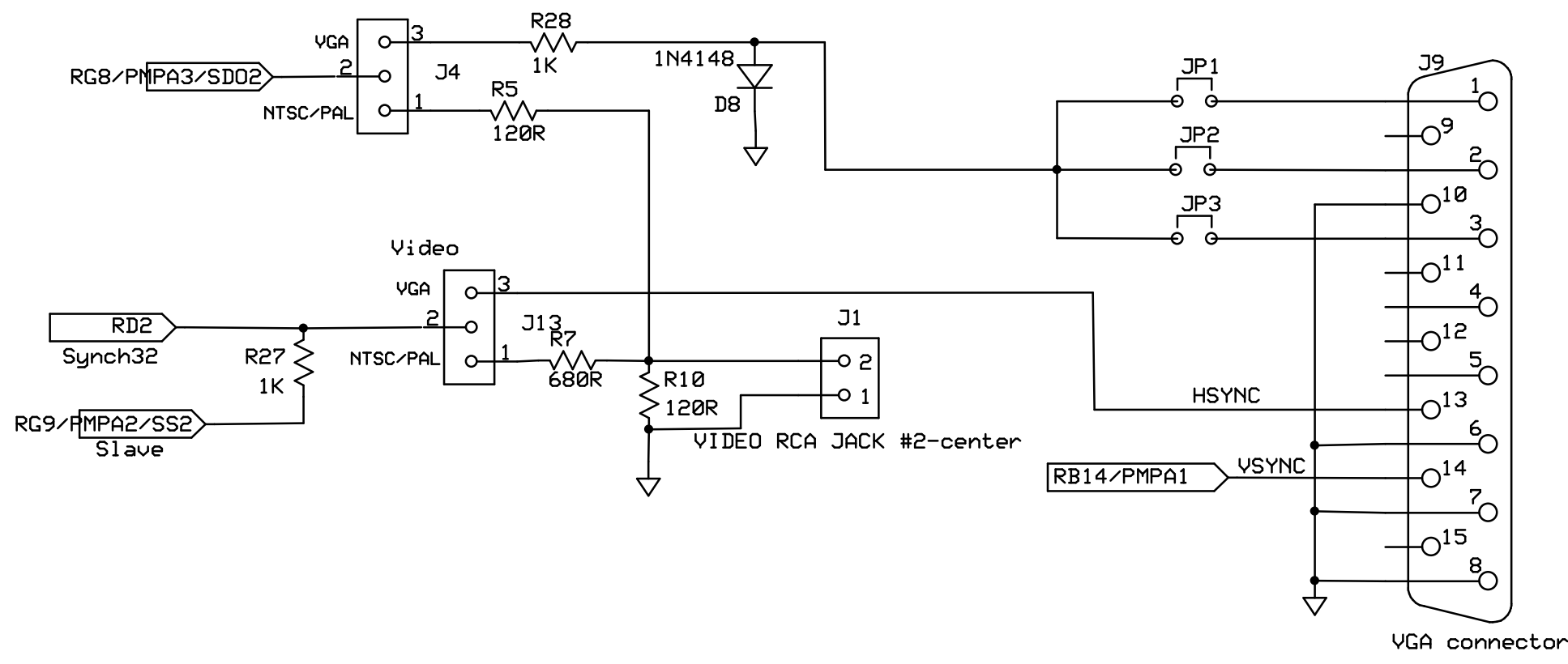
| Version | Rev | Date    | By | Comment  |
|---------|-----|---------|----|--|
| 1.0     | NC  |         | eo | Initial version  |
| 1.3     | NC  | 5/6/08  | eo | Updated, added VGA & PS2   |
| 1.4     | NC  | 5/12/08 | eo | Fixed RTS & CTS pins   |
| 1.4     | A   | 6/4/08  | eo | Updated Cap & Res values   |
| 1.4     | B   | 7/3/08  | eo | Changed aux 3.3v to LM1117   |
| 1.4     | C   | 9/24/08 | eo | Updated for DM320003 USB unit moved switches to RC1&2, added notes for VGA interface |
| 1.5     | NC  | 4/18/09 | eo | Updated video/VGA interface & USB version mods + 320x240LCD                          |

**Eflightworks**  
Eden, NY 14057

**PIC32MX Starter board Breakout Board**

E. Ohmit      Ver 1.5      Page 1 of 2  
4/18/2009

Copyright © Eflightworks 2009  
All rights reserved



Copyright © Eflightworks 2008  
All rights reserved